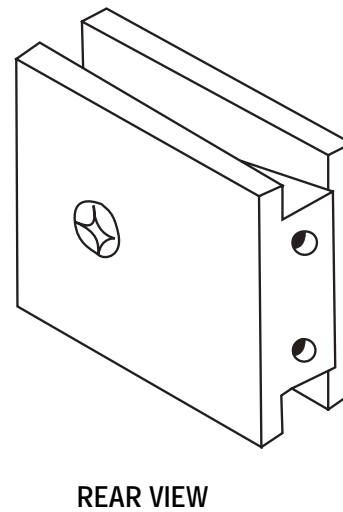
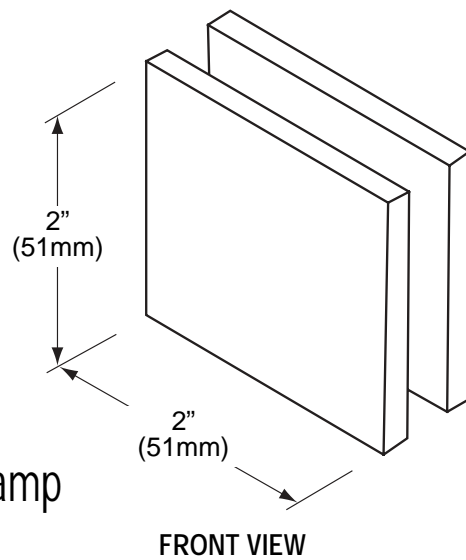


**HEAVY DUTY
GLASS CLAMPS**
Square Wall Mount Clamp
CAT. No.SGCU1



Specifications:

Material: Solid brass

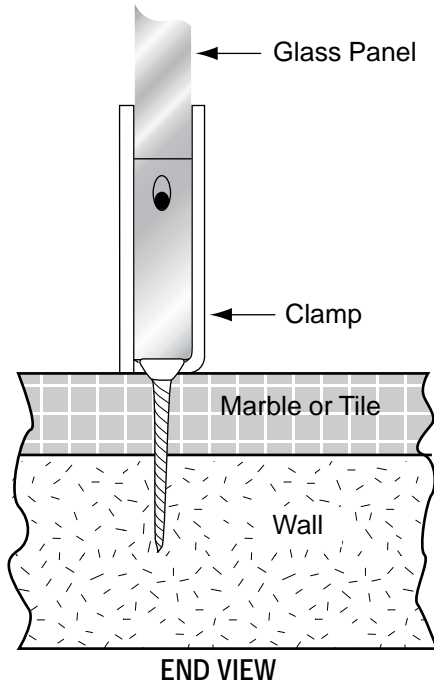
Glass Thickness Range: 3/8"(10mm) to 1/2"(12mm)

Fabrication Required: Notch

Includes: Mounting Screws and Gaskets

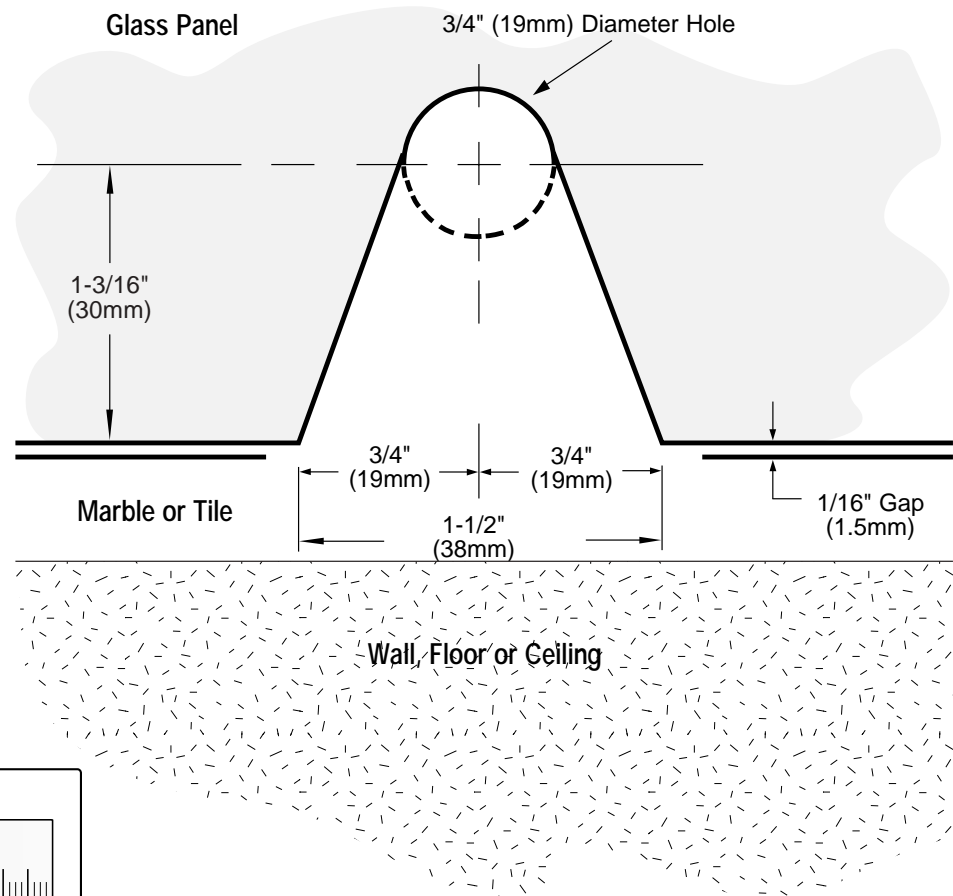
Template Shown on Next Page

TYPICAL INSTALLATION



TEMPLATE

Important: Project measurements from the edge of the glass



GLASS CLAMPS

Beveled Wall Mount Clamp

CAT. No.BGCU1

Square Wall Mount Clamp

CAT. No.SGCU1

